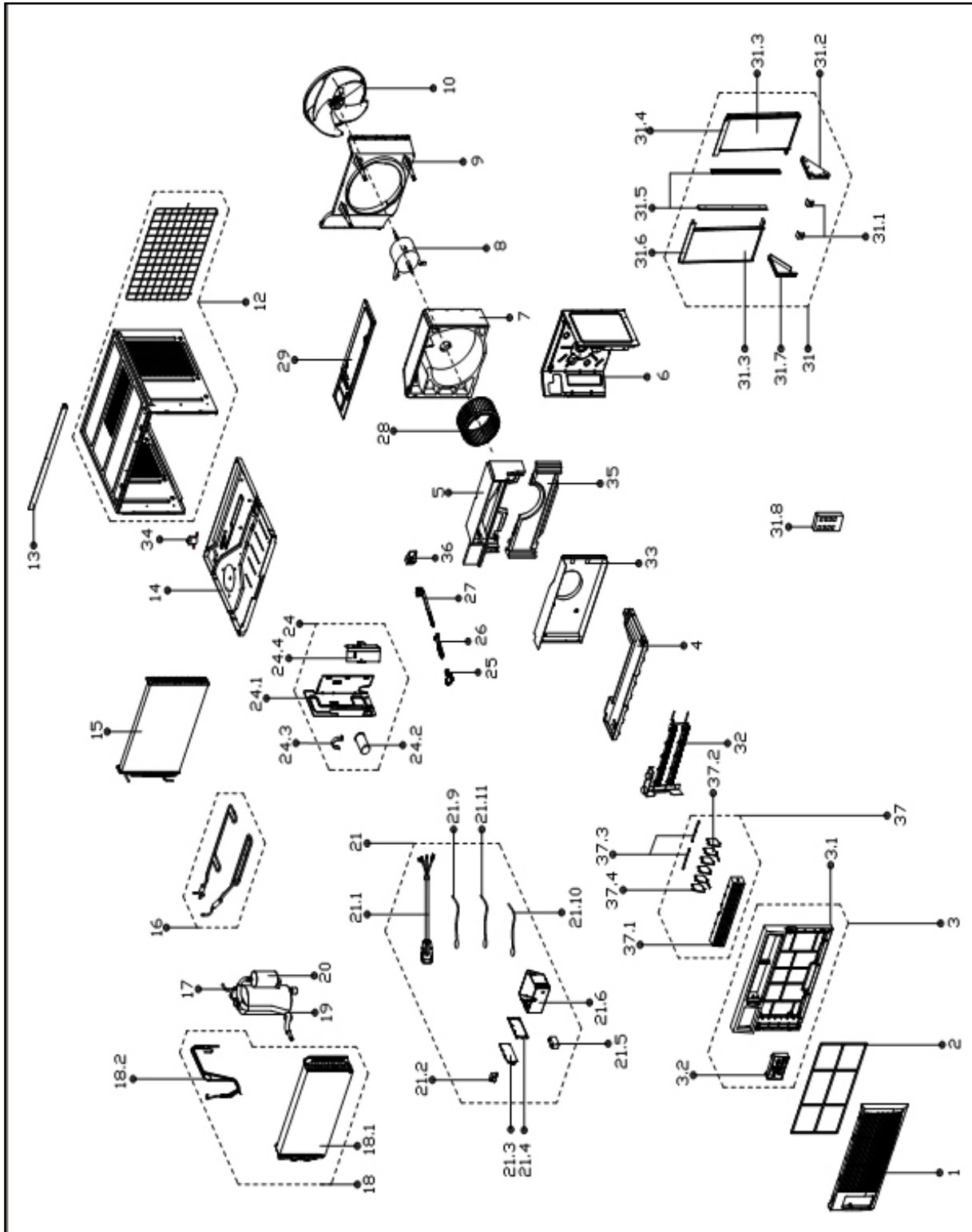


HEAT CONTROLLER

**REPLACEMENT
PARTS LIST**

**Room Air Conditioner with R-410A:
REG-253M**

EXPLODED VIEW



REPLACEMENT PARTS

Location	Part Name	Quantity	Part No.
1	Panel	1.0	12120300A00719
2	Filter	1.0	12100204A00042
3	Front panel and Panel frame assembly	1.0	12120300A01764
3.1	Front panel and Panel frame assembly	1.0	12120300A00813
3.2	Structure Subassembly of Display Box	1.0	17220300A00388
4	Drain Pan	1.0	12820300000026
5	Front Upper Air Duct Foam	1.0	12820300000134
6	Front right Boarding assembly	1.0	12220300000573
7	Rear Air Duct Foam Subassembly	1.0	12820300000049
8	Single-phase Asynchronous Motor	1.0	11002012004746
9	Rear barrier Subassembly	1.0	12120300000555
10	Axial fan	1.0	12100105000076
12	Floor Assembly	1.0	12220300000811
13	Upper Shutter Frame Subassembly	1.0	12220300000908
14	Chassis Assembly	1.0	12220300000387
15	Condenser Assembly	1.0	15820300000746
16	Sub-cooling pipe assembly	1.0	15120300001135
17	Compressor exhaust pipe	1.0	15120300000891
18	Evaporator assembly Gas valve assembly	1.0	15820300000040
18.1	Evaporator	1.0	15820300000414
18.2	Capillary Assembly	1.0	15120300001154
19	Parts of compressor return pipe	1.0	15120300001305
20	Fixed speed rotary compressor	1.0	11103010000873
21	E-Parts Box Subassembly of Upper Air-out Window Series	1.0	17220300000856
21.1	Power Supply Cable Subassembly	1.0	17401202000149
21.2	Power Transformer	1.0	11200000000249
21.3	Main Control Board Subassembly(Sticker)	1.0	17100000000438
21.4	Mounting rack of main control panel	1.0	12120300000521
21.5	Fan Capacitor	1.0	17400101000001
21.6	Welding Parts of Electrical Control Box	1.0	12220300000503
21.9	Room Temperature Sensor	1.0	11201007000003
21.10	Discharge temperature sensor assembly	1.0	11201007000198
21.11	Temperature Sensor	1.0	11201007000126
24	Front left Boarding	1.0	12220300000578
24.1	Front left Boarding assembly	1.0	12220300000589
24.2	Compressor Capacitor(Round)	1.0	17400103000033
24.3	Capacitor Clamp	1.0	12200203000029
24.4	Electrical Heating and Installing Box	1.0	12220300000459
25	Pull rod II-B7 of vent door	1.0	12120300001278
26	Pocket II of vent door	1.0	12120300001286
27	Pull rod I of vent door	1.0	12120300000425
28	Centrifugal Fan	1.0	12100103000048
29	Front clapboard	1.0	12220300000523
31	Installing Accessories	1.0	12020300000042
31.1	Installing Located Block	2.0	12220300000536
31.2	Right clapboard	1.0	12220300000929
31.3	Shutter	2.0	12120300001326
31.4	Right shutter frame	1.0	12120300001361
31.5	Connection Bar on Case	2.0	12120300001342
31.6	Left frame strip	1.0	12120300001376
31.7	Left supporting panel	1.0	12220300000932
31.8	Remote controller	1.0	17317000A03529
32	Electric Heater Assembly	1.0	17402004000029
33	Electrical Heating and Installing Box	1.0	12220300000457
34	Thermal drain valve	1.0	17400510000001
35	Front Lower Air Duct Foam	1.0	12820300000086
36	Pocket of vent door	1.0	12120300001264
37	Air Out Frame assembly	1.0	12120300A00630
37.1	Air Out Frame	1	12120300A00603
37.2	Louver I	2.0	12120300A00570
37.3	Louver Holder	2.0	12120300A00577
37.4	Louver II	4.0	12120300000981
	Display label	1	16020300A03716

Due to ongoing product improvements, specifications and dimensions are subject to change and correction without notice or incurring obligations. Determining the application and suitability for use of any product is the responsibility of the installer. Additionally, the installer is responsible for verifying dimensional data on the actual product prior to beginning any installation preparations.

Incentive and rebate programs have precise requirements as to product performance and certification. All products meet applicable regulations in effect on date of manufacture; however, certifications are not necessarily granted for the life of a product. Therefore, it is the responsibility of the applicant to determine whether a specific model qualifies for these incentive/rebate programs.

HEAT CONTROLLER

1900 Wellworth Ave., Jackson MI 49203 • Ph. 517-787-2100 • www.heatcontroller.com

A  Company